

# Copper Lugs & Connectors (Links)

銅端子和連接管 ▶▶



# KRF Copper Lugs

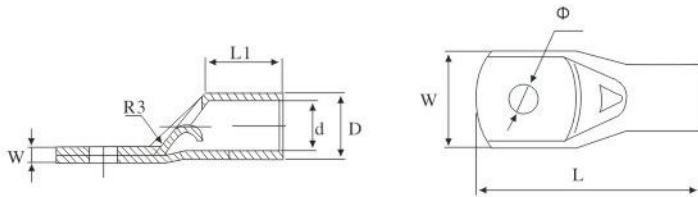
## KRF系列銅管端子

### Technical Data

Material: 99.95% pure copper

Surface: Tin plated >4 μ Sn

Operation Temperature: Up to 200°C



Part No.	Cable Spec. (mm <sup>2</sup> )	Dimensions (mm)				
		d	W	L	L1	Φ
KRF-16	16	6	13	32	10	M4, M5, M6, M8
			16	38		M10
			22	46		M12, M14
			24.5	52		M16
KRF-25	25	8	16	38	11	M4, M5, M6, M8
			17	42		M10
			22	50		M12, M14
			25	57		M16
KRF-35	35	9	18.5	44	14	M5, M6, M8, M10
			22	51		M12
			21	51		M14
			24.5	58		M16
			25	60		M18
KRF-50	50	11	21	49	17	M6, M8, M10
			23	54		M12, M14
			25	62		M16
			28	68		M20
KRF-70	70	13	24.5	57	20	M6, M8, M10, M12, M14
			28	64		M16
KRF-95	95	15	29	68	23	M6, M8, M10, M12, M14, M16
			32	74		M20
KRF-120	120	17	32	72	25	M8, M10, M12, M14, M16
KRF-150	150	19	36	79	28	M8, M10, M12, M14, M16, M20
KRF-185	185	21	39	85	31	M10, M12, M14, M16, M20
KRF-240	240	24	44	99	34	M10, M12, M16, M20
KRF-240A		22.5	42	98	34	M10, M12, M16, M20
KRF-300	300	26	47	110	41	M10, M12, M16, M20, M24
KRF-300A		24.5	46	115	41	M10, M12, M16, M20
KRF-400	400	30	53	121	47	M12, M16, M20
KRF-400A			56	120	47	M12, M16, M20
KRF-500	500	33	61	150	62	M12, M16

## DIN STD Copper Lugs

### DIN系列銅管端子

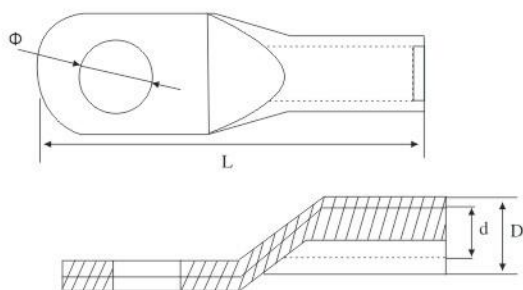
#### Technical Data

Material: 99.95% pure copper

Operation Temperature: -55°C to 155°C

Surface: Tin plated

Conformant Standards: DIN46235



Part No.	Cable Spec.(mm <sup>2</sup> )	Dimensions(mm)		
		d	D	L
SC-DIN-25	25	10	7	50
SC-DINS-35	35	12.5	8.2	55
SC-DIN-50	50	14.5	10	65
SC-DIN-70	70	16.5	11.5	68
SC-DIN-95	95	19	13.5	78
SC-DIN-120	120	21	15.5	86
SC-DIN-150	150	23.5	17	94
SC-DIN-185	185	25.5	19	98
SC-DIN-240	240	29	21.5	108
SC-DIN-300	300	32	24.5	119
SC-DINS-400	400	38.5	27.5	140
SC-DIN-500	500	42	31	150
SC-DIN-630	630	44	34.5	160

# SC Copper Terminal Lugs

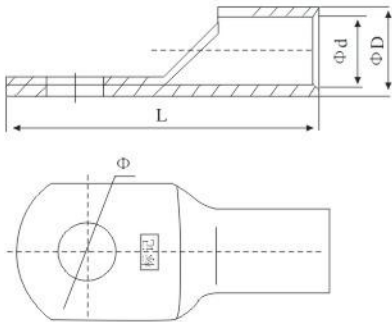
## SC系列窺口接綫端子

### Technical Data

Material: 99.95% pure copper

Surface: Tin plated

Operation Temperature: -55°C to 155°C



Part No.	Cable Spec.(mm <sup>2</sup> )	Dimensions(mm)			
		d	D	L	Φ
SC(JGK)-1.5	1.5	1.8	3.5	18	4.2,5.2
SC(JGK)-2.5	2.5	2.5	4	19	4.2,5.2,6.2
SC(JGK)-4	4	3.1	4.8	21	5.2,6.2
SC(JGK)-6	6	3.8	5.5	24	5.2,6.2, 8.2
SC(JGK)-10	10	4.8	6.8	25.5	6.4, 8.2
SC(JGK)-16	16	5.5	7.5	30.5	6.4, 8.2, 10.5
SC(JGK)-25	25	7	9	34	6.4, 8.2, 10.5
SC(JGK)-35	35	8.2	10.5	38	6.4, 8.2, 10.5, 12.5
SC(JGK)-50	50	9.8	12.5	45	8.2, 10.5, 12.5
SC(JGK)-70	70	11.5	14.5	50	8.2, 10.5, 12.5
SC(JGK)-95	95	13.8	17.5	55.5	10.5, 12.5
SC(JGK)-120	120	15.5	19.5	63	12.5, 16.5
SC(JGK)-150	150	16.5	21	71	12.5, 16.5
SC(JGK)-185	185	18.8	23.5	78	16.5
SC(JGK)-240	240	21	26.5	92	16.5
SC(JGK)-300	300	24	30	102	16.5, 20.5
SC(JGK)-400	400	26.5	34	113	16.5, 20.5
SC(JGK)-500	500	30	38	123	16.5, 20.5
SC(JGK)-630	630	35	45	135	20.5

## DT Copper Lugs

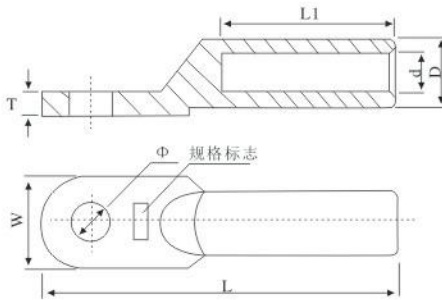
### DT系列銅接綫端子

#### Technical Data

Material: 99.95% pure copper

Surface: Tin Plating on request

Operation Temperature: -55°C to 155°C



Part No.	Cable Spec.(mm <sup>2</sup> )	Dimensions(mm)						
		d	D	W	L	L1	T	Φ
DT-10	10	5.5	9	16	66	30	2.2	M8
DT-16	16	6.0	10	16	67	31	2.5	M8
DT-25	25	7.0	11	18	70	34	3.0	M8
DT-35	35	8.5	12	20	79	36	3.0	M10
DT-50	50	9.6	14	23	87	40	3.5	M10
DT-70	70	12.0	16	26	95	44	4.0	M12
DT-95	95	13.0	18	28	105	47	4.5	M12
DT-120	120	15.0	20	30	112	50	5.0	M14
DT-150	150	16.0	22	34	118	54	5.5	M14
DT-185	185	18.0	25	38	125	56	6.0	M16
DT-240	240	20.0	27	42	136	60	7.0	M16
DT-300	300	23.0	30	48	160	65	8.0	M20
DT-400	400	26.0	34	54	165	70	9.0	M20
DT-500	500	29.0	38	64	190	75	9.5	Square Palm
DT-630	630	34.0	45	78	220	85	10.0	Square Palm
DT-800	800	38.0	50	100	260	85	10.5	Square Palm

## DTG Copper Lugs

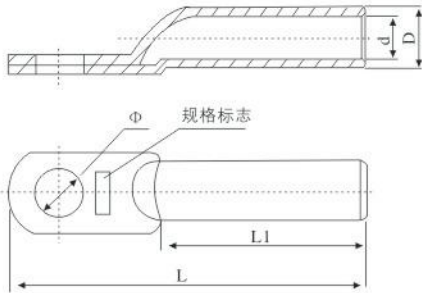
### DTG系列銅接綫端子

#### Technical Data

Material: 99.95% pure copper

Surface: Tin Plating on request

Operation Temperature: -55°C to 155°C



Part No.	Cable Spec.(mm <sup>2</sup> )	Dimensions(mm)				
		d	D	L	L1	Φ
DT-(G)-10	10	5.0	8	50	30	M6
DT-(G)-16	16	6.0	9	55	31	M6
DT-(G)-25	25	7.0	10	60	34	M6
DT-(G)-35	35	8.0	11	66	36	M6
DT-(G)-50	50	10.0	13	72	40	M8
DT-(G)-70	70	11.5	16	80	42	M8
DT-(G)-95	95	13.5	18	87	46	M10
DT-(G)-120	120	15.0	20	96	48	M12
DT-(G)-150	150	16.0	22	103	52	M12
DT-(G)-185	185	18.0	25	115	55	M16
DT-(G)-240	240	20.0	27	120	60	M16
DT-(G)-300	300	24.0	31	135	65	M16
DT-(G)-400	400	26.0	34	150	70	M16
DT-(G)-500	500	30.0	38	170	75	M20
DT-(G)-630	630	35.0	45	210	85	Square Palm
DT-(G)-800	800	40.0	50	270	167	Square Palm

# Copper Crimp Links

## GTA系列銅連接管

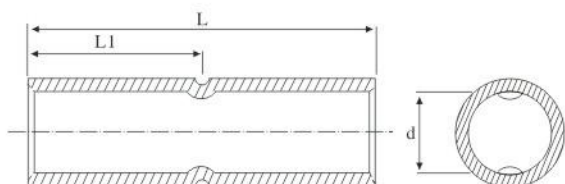
### Technical Data

Material: 99.95% pure copper

Surface: Tin plated >4 μ Sn

Operation Temperature: -55°C to 155°C

Conformant Standards: AS4325-1(AUS.)



Part No.	Cable Spec.(mm <sup>2</sup> )	Dimensions(mm)		
		d	L	L1
GTA-1.5	1.0-1.5	1.8	22	10..5
GTA-2.5	2.5	2.4	22	10..5
GTA-4	4	3.1	22	10..5
GTA-6	6	3.8	22	10..5
GTA-10	10	4.7	22	10..5
GTA-16	16	5.5	44	21.5
GTA-25	25	7.1	48	23.5
GTA-35	35	8.2	48	23.2
GTA-50	50	9.5	48	23.2
GTA-70	70	11.2	52	23.2
GTA-95	95	13.4	54	26.2
GTA-120	120	15.6	66	32.0
GTA-150	150	16.7	66	32.0
GTA-185	185	18.4	66	32.0
GTA-240	240	21.2	91	44.5
GTA-300	300	23.5	91	44.5
GTA-400	400	26.8	91	44.5
GTA-500	500	30.0	112	54.0
GTA-630	630	34.0	112	54.0
GTA-800	800	39.3	230	110
GTA-1000	1000	44.0	230	111

# Copper Barrier Links

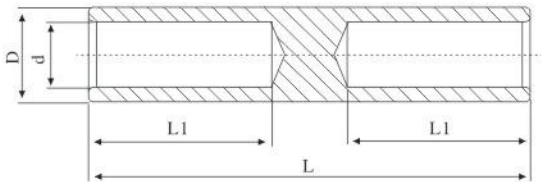
## GTB系列銅連接管

### Technical Data

Material: 99.95% pure copper

Operation Temperature: -55°C to 100°C

Conformant Standards: AS4325-1(AUS.)



Part No.	Cable Spec.(mm <sup>2</sup> )	Dimensions(mm)		
		d	L	L1
GTB-10	10	4.5	35	10
GTB-16	16	5.5	55	19
GTB-25	25	7.5	60	21
GTB-35	35	8.5	60	21
GTB-50	50	9.5	65	22
GTB-70	70	11.5	70	24
GTB-95	95	13.5	80	27
GTB-120	120	15.5	85	30
GTB-150	150	16.5	85	30
GTB-185	185	18.5	90	32
GTB-240	240	21.5	105	38
GTB-300	300	23.5	115	42
GTB-400	400	26.5	145	55
GTB-500	500	30.0	150	55
GTB-630	630	34.0	150	56
GTB-800	800	39.5	190	75
GTB-1000	1000	44.0	220	95



# Copper Reducing Links

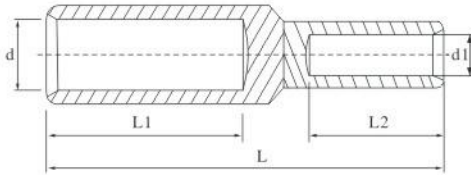
## GTR系列銅連接管

### Technical Data

Material: 99.95% pure copper

Operation Temperature: -55°C to 155°C

Conformant Standards: AS4325-1(AUS.)



Part No.	Cable Spec. (mm <sup>2</sup> )	Dimensions (mm)				
		d	d1	L	L1	L2
GTR6/4	6	4.0	3.0	30	10	10
GTR10/6	10	4.5	4.0	30	10	10
GTR16/6	16	5.5	4.0	40	19	10
GTR16/10			4.5	40		10
GTR25/6	25	7.5	4.0	40	21	10
GTR25/10			4.5	40		10
GTR25/16			5.5	50		19
GTR35/10	35	8.5	4.5	40	21	10
GTR35/16			5.5	55		19
GTR35/25			7.5	60		21
GTR50/10	50	9.5	4.5	45	22	10
GTR50/16			5.5	55		19
GTR50/25			7.5	55		21
GTR50/35			8.5	60		21
GTR70/16	70	11.5	5.5	60	24	19
GTR70/25			7.5	60		21
GTR70/35			8.5	65		21
GTR70/50			9.5	65		22
GTR95/25	95	13.5	7.5	65	27	21
GTR95/35			8.5	65		21
GTR95/50			9.5	70		22
GTR95/70			11.5	70		24

## Copper Reducing Links

### GTR系列銅連接管

Part No.	Cable Spec.(mm <sup>2</sup> )	Dimensions(mm)				
		d	d1	L	L1	L2
GTR120/35	120	15.5	8.5	70	30	21
GTR120/50			9.5	70		22
GTR120/70			11.5	75		24
GTR120/95			13.5	75		27
GTR150/50	150	16.5	9.5	70	30	22
GTR150/70			11.5	75		24
GTR150/95			13.5	80		27
GTR150/120			15.5	80		30
GTR185/70	185	18.5	11.5	75	32	24
GTR185/95			13.5	80		27
GTR185/120			15.5	85		30
GTR185/150			16.5	85		30
GTR240/95	240	21.5	13.5	85	38	27
GTR240/120			15.5	90		30
GTR240/150			16.5	90		30
GTR240/185			18.5	95		32
GTR300/120	300	23.5	15.5	95	42	30
GTR300/150			16.5	95		30
GTR300/185			18.5	100		32
GTR300/240			21.5	105		38
GTR400/150	400	26.5	16.5	110	55	30
GTR400/185			18.5	110		32
GTR400/240			21.5	125		38
GTR400/300			23.5	125		42
GTR500/185	500	30.0	18.5	115	55	32
GTR500/240			21.5	120		38
GTR500/300			23.5	125		42
GTR500/400			26.5	140		55
GTR630/240	630	34.0	21.5	120	56	38
GTR630/300			23.5	125		42
GTR630/400			26.5	140		55
GTR630/500			30.0	140		55
GTR800/400	800	39.0	26.5	150	75	55
GTR800/500			30.0	150		55
GTR800/630			34.0	150		56
GTR1000/500	1000	44.0	30.0	150	75	55
GTR1000/630			34.0	150		56
GTR1000/800			39.5	165		75

# Copper Stalk Lugs

## CS系列銅棒管

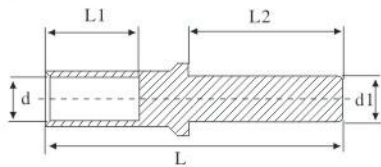
### Technical Data

Material: 99.95% pure copper

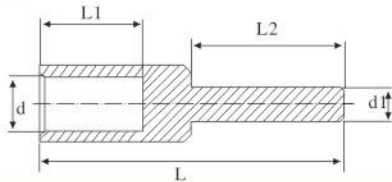
Operation Temperature: -55°C to 155°C

Conformant Standards: AS4325-1(AUS.)

TYPE A



TYPE B



Part No.	Cable Spec.(mm <sup>2</sup> )	Dimensions(mm)					
		d	d1	L	L1	L2	Type
CS10/6	10	4.5	6	44	10	22	A
CS10/8			8				
CS10/10			10				
CS10/12			12				
CS16/6	16	5.5	6	53	19	22	A
CS16/8			8				
CS16/10			10				
CS16/12			12				
CS25/6	25	7.5	6	62	21	30	A
CS25/8			8	67		35	
CS25/10			10				
CS25/12			12				
CS35/6	35	8.5	6	62	21	30	B
CS35/8			8	67		35	A
CS35/10			10				
CS35/12			12				
CS50/8	50	9.5	8	69	22	35	B
CS50/10			10				A
CS50/12			12				
CS50/16			16				

# Copper Stalk Lugs

## CS系列銅棒管

Part No.	Cable Spec.(mm <sup>2</sup> )	Dimensions(mm)					Type
		d	d1	L	L1	L2	
CS70/10	70	11.5	10	77	24	40	B
CS70/12			12				A
CS70/16			16				A
CS95/10	95	13.5	10	80	27	40	B
CS95/12			12				B
CS95/16			16				A
CS120/10	120	15.5	10	82	30	40	B
CS120/12			12				
CS120/16			16				
CS150/10	150	16.5	10	89	30	45	B
CS150/12			12				
CS150/16			16				
CS185/10	185	18.5	10	92	32	45	B
CS185/12			12				
CS185/16			16				
CS185/18			18				
CS240/16	240	21.5	16	103	38	50	B
CS240/18			18				
CS240/20			20				
CS300/16	300	23.5	16	107	42	50	B
CS300/18			18				
CS300/20			20				

# GT Copper Connectors

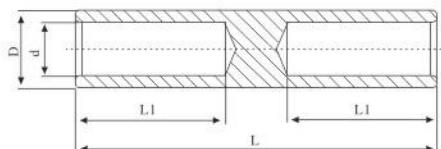
## GT系列銅連接管

### Technical Data

Material: 99.95% pure copper

Surface: Tin Plating on request

Operation Temperature: -55°C to 155°C



Part No.	Cable Spec.(mm <sup>2</sup> )	Dimensions(mm)			
		d	D	L	L1
GT-10	10	5.0	9	62	28
GT-16	16	6.0	10	65	30
GT-25	25	7.0	11	70	32
GT-35	35	8.5	12	75	34
GT-50	50	9.6	14	80	35
GT-70	70	12.0	16	90	41
GT-95	95	13.0	18	95	43
GT-120	120	15.0	20	100	46
GT-150	150	16.0	22	105	48
GT-185	185	18.0	25	110	50
GT-240	240	20.0	27	120	55
GT-300	300	23.0	30	130	60
GT-400	400	26.0	34	140	64
GT-500	500	29.0	38	155	70
GT-630	630	34.0	45	170	80

## GTG Copper Connectors

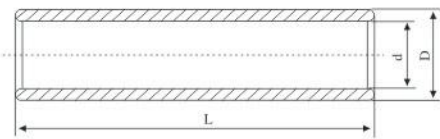
### GTG系列銅連接管

#### Technical Data

Material: 99.95% pure copper

Surface: Tin Plating on request

Operation Temperature: -55°C to 155°C



Part No.	Cable Spec.(mm <sup>2</sup> )	Dimensions(mm)		
		d	D	L
GTG-10	10	5	8	50
GTG-16	16	6	9	56
GTG-25	25	7	10	60
GTG-35	35	8.5	12	64
GTG-50	50	10	14	72
GTG-70	70	12	16	78
GTG-95	95	13	18	85
GTG-120	120	15	20	90
GTG-150	150	16	22	94
GTG-185	185	18	25	100
GTG-240	240	20	27	110
GTG-300	300	24	31	120
GTG-400	400	26	34	135
GTG-500	500	30	38	150
GTG-630	630	35	45	170