

Aluminium Lugs & Connectors(Links)

鋁端子和連接管 ▶▶



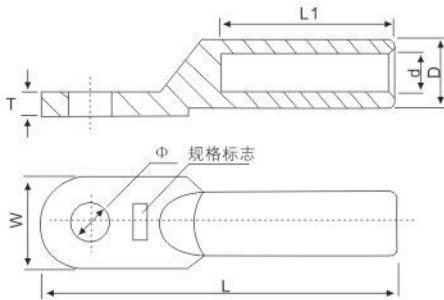
DL Aluminium Lugs

DL系列鋁接綫端子

Technical Data

Material: 99.5% pure Aluminium

Operation Temperature: -20°C to 140°C



Part No.	Cable Spec.(mm ²)	Dimensions(mm)						
		d	D	W	L	L1	T	Φ
DL-16	16	5.5	10	16	70	32	3.0	M8
DL-25	25	7.0	12	18	75	34	3.5	M8
DL-35	35	8.5	14	20	85	40	3.5	M10
DL-50	50	9.5	16	23	90	42	4.0	M10
DL-70	70	12.0	18	26	102	47	4.5	M12
DL-95	95	13.0	21	28	112	50	5.0	M12
DL-120	120	15.0	23	30	120	53	5.5	M14
DL-150	150	16.0	25	34	126	55	6.0	M14
DL-185	185	18.0	27	37	133	58	6.5	M16
DL-240	240	20.0	30	40	140	60	7.5	M16
DL-300	300	23.0	34	45	165	65	8.5	M20
DL-400	400	26.0	38	52	170	70	9.5	M20
DL-500	500	29.0	42	60	190	75	10.0	M20
DL-630	630	34.0	54	78	225	80	10.5	Square Palm
DL-800	800	38.0	60	100	270	90	11.0	Square Palm

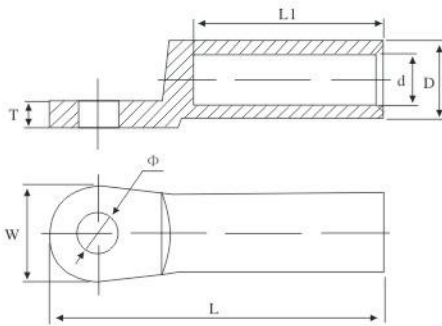
DIN STD Aluminium Lugs

DIN系列鋁接綫端子

Technical Data

Material: 99.5% pure Aluminium

Operation Temperature: -20°C to 140°C



Part No.	Cable Spec.(mm ²)	Dimensions(mm)						
		d	D	W	L	L1	T	Φ
DL-DIN-25	25	6.8	12	25	62.5	30	4	M10
DL-DIN-35	35	8	14	25	74.5	42	4	M10
DL-DIN-50	50	9.8	16	25	74.5	42	5.5	M10
DL-DIN-70	70	11.2	18.5	25	84.5	52	5.5	M10
DL-DIN-95	95	13.2	22	25	87.5	56	6	M12
DL-DIN-120	120	14.7	23	30	95	56	7.5	M12
DL-DIN-150	150	16.3	25	30	105	60	8	M12
DL-DIN-185	185	18.3	28.5	30	106	60	8	M12
DL-DIN-240	240	21	32	38	122	70	11	M12
DL-DIN-300	300	23.3	34	38	122	70	13	M16
DL-DIN-400	400	26	38.5	38	135	73	14	M16
DL-DIN-500	500	29	44	44	144	79	15	M16

AUS STD Aluminium Lugs

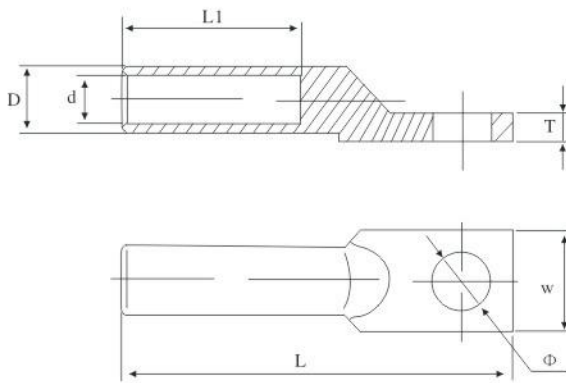
AUS系列鋁接綫端子

Technical Data

Material: 99.5% pure Aluminium

Operation Temperature: -20°C to 140°C

Conformant Standards: AS4325-1(AUS.)



Part No.	Cable Spec.(mm ²)	Dimensions(mm)						
		d	D	W	L	L1	T	Φ
AL-10	10	4.5	12	18	70	32	5	
AL-16	16	5.5	12	18	70	32	5	
AL-25	25	7.5	12	22	70	32	5	
AL-35	35	8.1	12	22	70	32	5	M10,M12
AL-50	50	9.5	16	26	75	32	8	M10,M12
AL-70	70	11.5	16	26	75	32	8	M10,M12
AL-95	95	13.5	21.5	30	105	55	10	M10,M12
AL-120	120	15.5	21.5	30	105	55	10	M10,M12
AL-150	150	16.5	27	36	105	48	11	M10,M12
AL-185	185	18.5	27	36	105	48	11	M12
AL-240	240	21.7	35	37	120	50	12	M12
AL-300	300	23.5	35	37	120	50	12	M12
AL-400	400	26.5	47	54	160	70	15	
AL-500	500	30.0	47	54	160	70	15	
AL-630	630	34.0	54	60	170	70	15	

Aluminium Links -Barrier Type

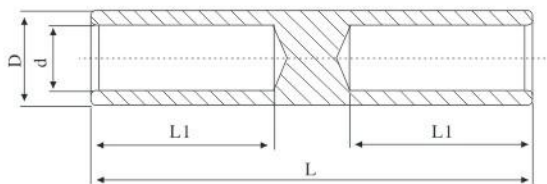
ALK系列鋁連接管

Technical Data

Material:99.5% pure Aluminium

Operation Temperature:-20°C to 140°C

Conformant Standards:AS4325-1(AUS.)



Part No.	Nominal Conductor (mm ²)	Dimensions(mm)			
		D	d	L	L1
ALK-6	6	12	3.5	70	32
ALK-10	10	12	4.5	70	32
ALK-16	16	12	5.5	70	32
ALK-25	25	12	7.5	70	32
ALK-35	35	12	8.5	70	32
ALK-50	50	16	9.5	70	32
ALK-70	70	16	11.5	70	32
ALK-95	95	21.5	13.5	125	60
ALK-120	120	21.5	15.5	125	60
ALK-150	150	27	16.5	125	60
ALK-185	185	27	18.5	125	60
ALK-240	240	35	22	125	60
ALK-300	300	35	23.5	125	60
ALK-400	400	47	26.5	145	70
ALK-500	500	47	30	145	70
ALK-630	630	54	34	145	70
ALK-800	800	54	39	235	115

Aluminium Stalk Lugs

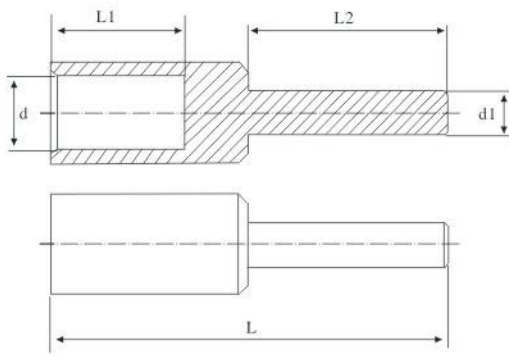
AS系列鋁棒管

Technical Data

Material: 99.5% pure Aluminium

Operation Temperature: -20°C to 140°C

Conformant Standards: AS4325-1(AUS.)



Part No.	Nominal Conductor (mm ²)	Dimensions(mm)				
		d	d1	L	L1	L2
AS6/6	6	3.5	6	70	32	28
AS6/8			8			
AS6/10			10			
AS10/6	10	4.5	6	70	32	28
AS10/8			8			
AS10/10			10			
AS16/6	16	5.5	6	70	32	28
AS16/8			8			
AS16/10			10			
AS16/12			12			
AS25/8	25	7.5	8	70	32	28
AS25/10			10			
AS25/12			12			
AS35/8	35	8.5	8	70	32	28
AS35/10			10			
AS35/12			12			
AS50/8	50	9.5	8	70	32	28
AS50/10			10			
AS50/12			12			

Aluminium Stalk Lugs

AS系列鋁棒管

Part No.	Nominal Conductor (mm ²)	Dimensions(mm)				
		d	d1	L	L1	L2
AS70/8	70	11.5	8	70	32	28
AS70/10			10			
AS70/12			12			
AS95/10	95	13.5	10	110	60	37
AS95/12			12			
AS95/14			14			
AS120/10	120	15.5	10	110	60	37
AS120/12			12			
AS120/14			14			
AS150/12	150	16.5	12	120	60	45
AS150/14			14			
AS150/16			16			
AS150/20			20			
AS185/12	185	18.5	12	120	60	45
AS185/14			14			
AS185/16			16			
AS240/14	240	22.0	14	120	60	45
AS240/16			16			
AS240/18			18			
AS300/16	300	23.5	16	120	60	45
AS300/18			18			
AS300/20			20			
AS400/18	400	26.5	18	155	70	65
AS400/20			20			
AS400/22			22			
AS500/18	500	30.0	18	155	70	65
AS500/20			20			
AS500/22			22			
AS630/20	630	34.0	20	160	70	65
AS630/22			22			
AS630/24			24			

Aluminium Reducing Links

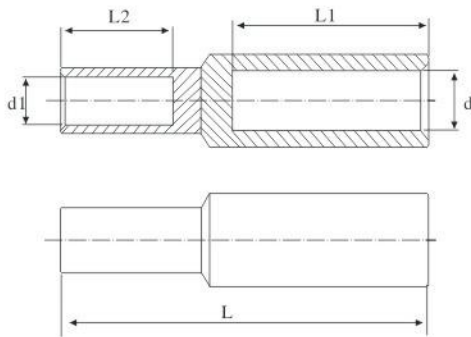
ALKR系列鋁連接管

Technical Data

Material: 99.5% pure Aluminium

Operation Temperature: -20°C to 140°C

Conformant Standards: AS4325-1(AUS.)



Part No.	Nominal Conductor (mm ²)	Dimensions(mm)				
		d	d1	L	L1	L2
ALKR6/4	6/4	3.5	3.5	80	32	32
ALKR10/6	10/6	4.5	3.5	80	32	32
ALKR16/6	16/6	5.5	3.5	80	32	32
ALKR16/10	16/10	5.5	4.5	80	32	32
ALKR25/6	25/6	7.0	3.5	80	32	32
ALKR25/10	25/10	7.0	4.5	80	32	32
ALKR25/16	25/16	7.0	5.5	80	32	32
ALKR35/10	35/10	8.5	7.5	80	32	32
ALKR35/16	35/16	8.5	5.5	80	32	32
ALKR35/25	35/25	8.5	7.5	80	32	32
ALKR50/16	50/16	9.5	5.5	85	32	32
ALKR50/25	50/25	9.5	7.5	85	32	32
ALKR50/35	50/35	9.5	8.5	85	32	32
ALKR70/16	70/16	11.5	5.5	85	32	32
ALKR70/25	70/25	11.5	7.5	85	32	32
ALKR70/35	70/35	11.5	8.5	85	32	32
ALKR70/50	70/50	11.5	9.5	85	32	32
ALKR95/25	95/25	13.5	7.5	115	60	32
ALKR95/35	95/35	13.5	8.5	115	60	32
ALKR95/50	95/50	13.5	9.5	115	60	32

Aluminium Reducing Links

ALKR系列鋁連接管

Part No.	Nominal Conductor (mm ²)	Dimensions(mm)				
		d	d1	L	L1	L2
ALKR95/70	95/70	13.5	11.5	115	60	32
ALKR120/35	120/35	15.5	8.5	115	60	32
ALKR120/50	120/50	15.5	9.5	115	60	32
ALKR120/70	120/70	15.5	11.5	115	60	32
ALKR120/95	120/95	15.5	13.5	140	60	60
ALKR150/50	150/50	16.5	9.5	120	60	32
ALKR150/70	150/70	16.5	11.5	120	60	32
ALKR150/95	150/95	16.5	13.5	140	60	60
ALKR150/120	150/120	16.5	15.5	140	60	60
ALKR185/70	185/70	18.5	11.5	120	60	32
ALKR185/95	185/95	18.5	13.5	140	60	60
ALKR185/120	185/120	18.5	15.5	140	60	60
ALKR185/150	185/150	18.5	16.5	140	60	60
ALKR240/95	240/95	22.0	13.5	150	60	60
ALKR240/120	240/120	22.0	15.5	150	60	60
ALKR240/150	240/150	22.0	16.5	150	60	60
ALKR240/185	240/185	22.0	18.5	150	60	60
ALKR300/120	300/120	23.5	15.5	150	60	60
ALKR300/150	300/150	23.5	16.5	150	60	60
ALKR300/185	300/185	23.5	18.5	150	60	60
ALKR300/240	300/240	23.5	22.0	150	60	60
ALKR400/150	400/150	26.5	16.5	160	70	60
ALKR400/185	400/185	26.5	18.5	160	70	60
ALKR400/240	400/240	26.5	22.0	160	70	60
ALKR400/300	400/300	26.5	23.5	160	70	60
ALKR500/185	500/185	30.0	18.5	160	70	60
ALKR500/240	500/240	30.0	22.0	160	70	60
ALKR500/300	500/300	30.0	23.5	160	70	60
ALKR500/400	500/400	30.0	26.5	170	70	70
ALKR630/240	630/240	34.0	22.0	160	70	60
ALKR630/300	630/300	34.0	23.5	160	70	60
ALKR630/400	630/400	34.0	26.5	170	70	70
ALKR630/500	630/500	34.0	30.0	170	70	70

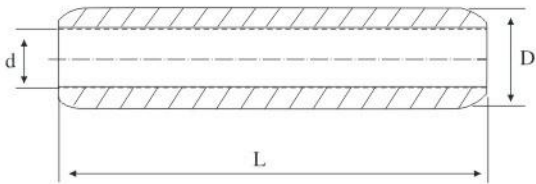
GLU Aluminium Connectors

GLU系列鋁連接管

Technical Data

Material: 99.5% pure Aluminium

Operation Temperature: -20°C to 140°C



Part No.	Dimensions(mm)		
	d	D	L
GLU-10	4.5	16	90
GLU-16	5.5	16	90.5
GLU-25	6.5	16	90.5
GLU-35	8.0	16	90.5
GLU-50	9.0	20	106.5
GLU-70	11.0	20	106.5
GLU-95	12.5	20	106.5
GLU-120	13.7	25	133
GLU-150	15.5	25	133
GLU-185	17.0	32	143.5
GLU-240	19.5	32	143.5
GLU-300	22.5	34	218
GLU-400	26	38.5	218
GLU-500	29.1	44	218.5
GLU-630	32.5	52	218.5

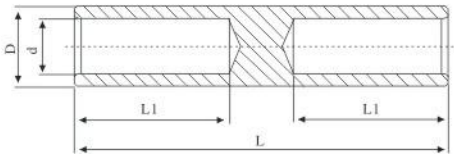
GL Aluminium Connectors

GL系列鋁連接管

Technical Data

Material: 99.5% pure Aluminium

Operation Temperature: -20°C to 140°C



Part No.	Cable Spec.(mm ²)	Dimensions(mm)			
		d	D	L	L1
GL-10	10	4.5	9	65	28
GL-16	16	5.5	10	70	31
GL-25	25	7.0	12	75	32
GL-35	35	8.5	14	85	37
GL-50	50	9.5	16	95	42
GL-70	70	12.0	18	105	46
GL-95	95	13.0	21	110	50
GL-120	120	15.0	23	115	52
GL-150	150	16.0	25	120	55
GL-185	185	18.0	27	125	57
GL-240	240	20.0	30	130	61
GL-300	300	23.0	34	140	65
GL-400	400	26.0	38	150	70
GL-500	500	29.0	42	160	75
GL-630	630	34.0	54	170	80

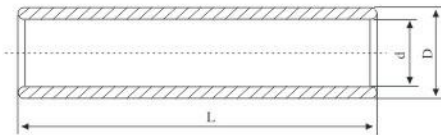
GLG Aluminium Connectors

GLG系列鋁連接管

Technical Data

Material: 99.5% pure Aluminium

Operation Temperature: -20°C to 140°C



Part No.	Cable Spec.(mm ²)	Dimensions(mm)		
		d	D	L
GLG-16	16	5.5	10	65
GLG-25	25	7.0	12	70
GLG-35	35	8.5	14	75
GLG-50	50	9.5	16	80
GLG-70	70	12.0	18	90
GLG-95	95	13.0	21	95
GLG-120	120	15.0	23	100
GLG-150	150	16.0	25	105
GLG-185	185	18.0	27	110
GLG-240	240	20.0	30	120
GLG-300	300	23.0	34	130
GLG-400	400	26.0	38	140
GLG-500	500	29.0	42	150
GLG-630	630	34.0	54	170
GLG-800	800	38.0	60	200