



## CAPG-type Copper-Aluminium PG Clamps

CAPG型銅鋁并溝綫夾



Part No.	Wire range(mm <sup>2</sup> )		Bolt Qty.
	CU	AL	
CAPG-A1	CU6-50mm <sup>2</sup>	AL16-70mm <sup>2</sup>	1 bolt
CAPG-A2	CU2.5-10mm <sup>2</sup>	AL14-50mm <sup>2</sup>	1 bolt
CAPG-A3	CU10-95mm <sup>2</sup>	AL25-150mm <sup>2</sup>	1 bolt
CAPG-B1	CU6-50mm <sup>2</sup>	AL16-70mm <sup>2</sup>	2 bolts
CAPG-B2	CU10-95mm <sup>2</sup>	AL25-150mm <sup>2</sup>	2 bolts
CAPG-B3	CU2.5-10mm <sup>2</sup>	AL25-95mm <sup>2</sup>	2 bolts
CAPG-B4	CU6-35mm <sup>2</sup>	AL25-95mm <sup>2</sup>	2 bolts
CAPG-B5	CU6-35mm <sup>2</sup>	AL35-120mm <sup>2</sup>	2 bolts
CAPG-B6	CU35-120mm <sup>2</sup>	AL25-150mm <sup>2</sup>	2 bolts
CAPG-B7	CU16-185mm <sup>2</sup>	AL35-200mm <sup>2</sup>	2 bolts
CAPG-B8	CU35-240mm <sup>2</sup>	AL50-300mm <sup>2</sup>	2 bolts
CAPG-C1	CU6-50mm <sup>2</sup>	AL16-70mm <sup>2</sup>	3 bolts
CAPG-C2	CU10-95mm <sup>2</sup>	AL25-150mm <sup>2</sup>	3 bolts
CAPG-C3	CU35-185mm <sup>2</sup>	AL35-185mm <sup>2</sup>	3 bolts
CAPG-C4	CU35-200mm <sup>2</sup>	AL35-200mm <sup>2</sup>	3 bolts
CAPG-C5	CU35-240mm <sup>2</sup>	AL35-300mm <sup>2</sup>	3 bolts

## APG-type Aluminium PG Clamps

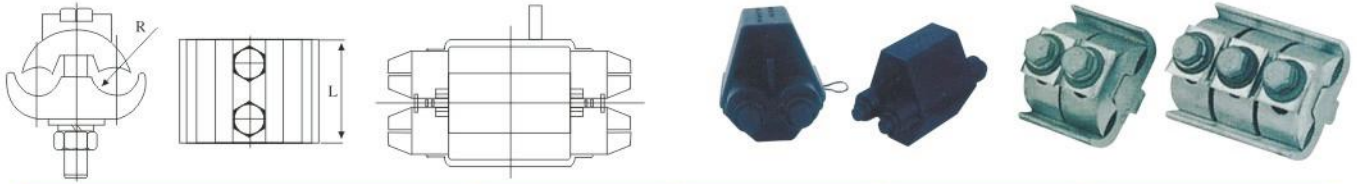
APG型鋁并溝綫夾



Part No.	Wire range(mm <sup>2</sup> )		Bolt Qty.
	AL		
APG-A1	AL16-70mm <sup>2</sup>		1 bolt
APG-A2	AL16-150mm <sup>2</sup>		1 bolt
APG-B1	AL6-35mm <sup>2</sup>		2 bolts
APG-B2	AL16-70mm <sup>2</sup>		2 bolts
APG-B3	AL16-150mm <sup>2</sup>		2 bolts
APG-B4	AL16-120mm <sup>2</sup>		2 bolts
APG-B5	AL25-185mm <sup>2</sup>		2 bolts
APG-C1	AL25-200mm <sup>2</sup>		3 bolts
APG-C2	AL30-300mm <sup>2</sup>		3 bolts
APG-C3	AL35-150mm <sup>2</sup>		3 bolts
APG-C4	AL95-240mm <sup>2</sup>		3 bolts

## JBL(Y) Aluminium P.G. Connectors

JBL(Y)鋁異型(并溝)綫夾



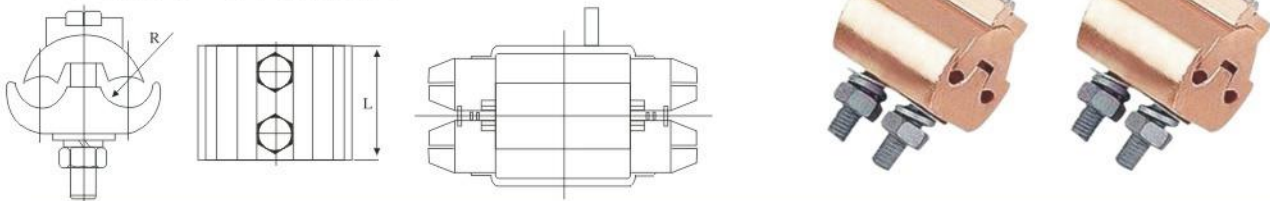
Part No.			For the type of conductor	L	L1	B
JBL(Y)-16-120	A	2 bolts	JG-16-120	45	55	46
	B	3 bolts		64	55	46
JBL(Y)-50-240	A	2 bolts	JG-50-240	45	70	60
	B	3 bolts		70	70	60
JBL(Y)-120-300	A	2 bolts	JG-120-300	90	75	74
	B	3 bolts				

Note: A-Two bolts B-Three bolts

The tow insulating covers are suitable for JBL-16-120 and JBL-50-240

## JBT(Y) Copper P.G. Connectors

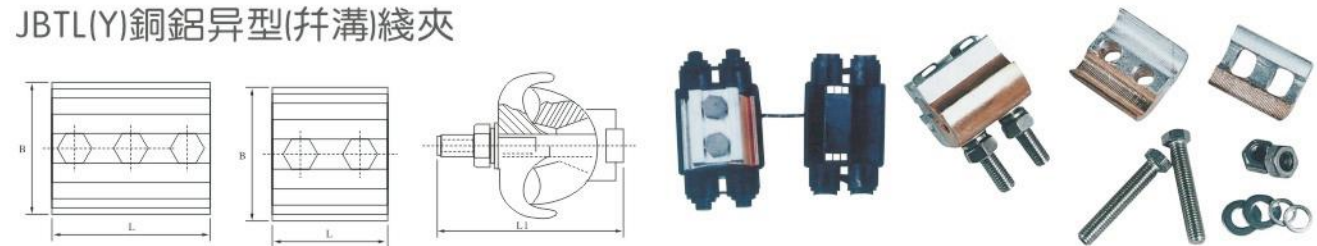
JBT(Y)銅異型(并溝)綫夾



Part No.	For the type of conductor	L	L1	B
JBT(Y)-16-120	16-120	45	55	48
JBTT(Y)-50-240	50-40	45	70	60

## JBTL(Y) Bimetal P.G. Connectors

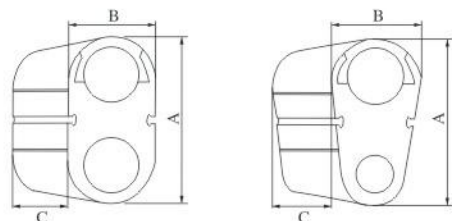
JBTL(Y)銅鋁異型(并溝)綫夾



Part No.	For the type of conductor	L	L1	B
JBTL(Y)-16-120	16-120	45	55	48
JBTL(Y)-50-240	50-40	45	70	60

## Aluminium Connector Press Type O

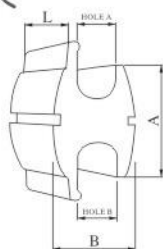
### O型鋁并溝綫夾



Part No.	Hole 1 (mm <sup>2</sup> )	Hole 2 (mm <sup>2</sup> )	Dimensions(mm)		
			A	B	L
CPO10-16/10-16	10-16	10-16	18	10.5	32
CPO16-35/10-16	20-35	10-16	24.5	14.5	35
CPO16-35/16-35	20-35	25-35	27	16	38
CPO50-70/10-16	50-70	10-16	27	20	40
CPO50-70/10-35	50-70	25-35	30	18.4	40
CPO50-70/50-70	50-70	50-70	31.8	20	45
CPO70-150/50-70	70-150	50-70	39	22	60
CPO70-150/70-150	70-150	70-150	42.6	25	60
CPO150-240/70-150	150-240	70-150	49.5	30.5	65
CPO150-240/150-240	150-240	150-240	51.5	30.5	65

## Aluminium Connector Press Type H

### H型鋁并溝綫夾



Part No.	Hole A (mm <sup>2</sup> )	Hole B (mm <sup>2</sup> )	Dimensions(mm)		
			A	B	L
CPH35-35	16-35	16-35	23.8	17.5	38
CPH35-70	16-35	35-70	26	17.8	46
CPH70-70	35-70	35-70	30.5	20.6	47
CPH120-120	70-120	70-120	16.5	22.7	52
CPH70-150	35-70	70-150	34.5	23	70
CPH150-150	70-150	70-150	39.5	28.4	70
CPH70-240	35-70	120-240	42	28	90
CPH150-240	70-150	120-240	46	32	90
CPH240-240	120-240	120-240	52	32	90

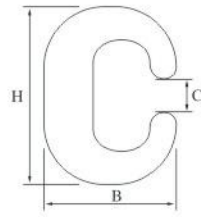
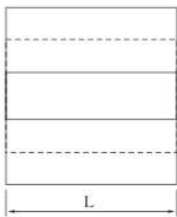
# C-clamps

## C型綫夾

### Technical Data

Material: 99.95% pure copper

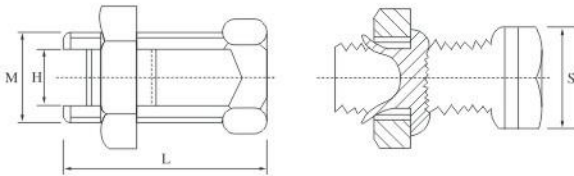
Surface: Tin Plating on request



Part No.	Cable Spec.(mm <sup>2</sup> )	Dimensions(mm)					
		H1	H2	W	L	C	T
CCT-10	2.5-4	9.5	6.3	6.2	12	4	1.6
CCT-16	4-6	11.8	7.8	7.8	13	5	2
CCT-20	6-10	12.8	8.6	9.7	13	5.4	2.9
CCT-26	10	14.7	10.2	10.0	16	6.5	3.2
CCT-44	16	19	13.4	14.4	20	8.5	4
CCT-60	16-25	21	15.4	15.4	22	9.7	4
CCT-76	25-35	24.4	17.3	17.6	22	10.8	5
CCT-98	35-50	27.8	20.8	18.8	25	12.8	5
CCT-122	50	29.8	22.1	21.2	26	13.5	5.5
CCT-154	50-70	34	25.7	24.4	28	17	6
CCT-190	70-95	37	28.5	25.4	35	17.4	6
CCT-240	95-120	40	30.2	28.5	40	19	7
CCT-288	120-150	44.5	34.7	34.1	45	22.3	7
CCT-365	150-185	47.5	37.7	34	50	24.8	7
CCT-450	185-240	57	42.5	41	60	28	10
CCT-560	240-300	62	46	44	65	31	11
CCT-700	300-400	68	54	49.5	70	44	12

## B/C Split Bolted Connectors

### B/C 銅螺栓綫夾

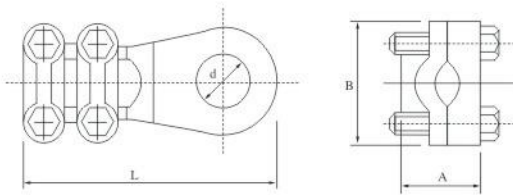


It is suitable for the sequence and transportation of all kinds of conductor in electric netting, made of copper.

Item No.	L	M	H	S
B/C-16	20	M17×2.5	6	18
B/C-25	27	M19×2.5	7	20
B/C-35	35	M21×2.5	7	22
B/C-50-70	42	M23×2.5	11	24
B/C-90-120	45	M25×2.5	14	26
B/C-150-185	60	M29×2.5	17	30
B/C-200-240	62, 72	M31×2.5	20	32

## WCJC Copper Lugs with Clamps

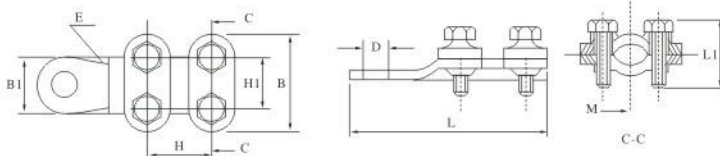
### WCJC 引進銅接綫夾



Item No.	Conductor(mm <sup>2</sup> )	Dimensions(mm)			
		L	A	B	d
WCJC-1	16	37	10	21	7.5
WCJC-2	25~35	48	13	22	11
WCJC-3	50~70	60	17	31	11
WCJC-4	120~150	70	23	35	15
WCJC-5	210~250	90	30	46	17
WCJC-6	300~500	125	35	62	23

## WCJB Copper Lugs with Clamps

### WCJB 引進梅花型紫銅接綫夾

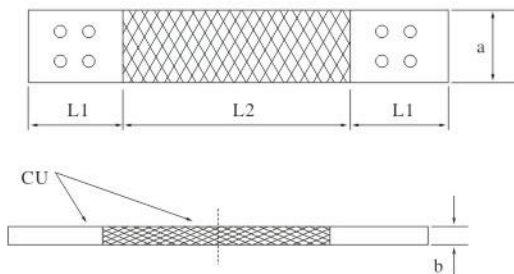


It is suitable for transition connection of the electric appliances of indoors distributing device and kinds of wire cables. It adopts T2 red copper, the surface adopt nickle plating.

Item No.	Conductor(mm <sup>2</sup> )	Dimensions(mm)							
		L	L1	B	B1	H	H1	D	M
WCJB-1	16~25	39.5	15	25	16.5	13	13	8.5	5
WCJB-2	16~25	45	15	22	18	13	13	8.5	5
WCJB-3	25~35	52.5	15	24.5	21.2	13.5	13.5	10.5	5
WCJB-4	50~70	61	21	31	23	18.5	18.5	10.5	6
WCJB-5	70~95	69	24	35	23.5	20	20	10.5	6
WCJB-6	95~120	74	20.5	42	28.5	22.5	22.5	13.5	7
WCJB-7	120~150	73.5	30	41	27	24	24	13.5	8
WCJB-8	150~185	76	30	42	28	24.5	24.5	13.5	8
WCJB-9	185~240	80	32	44	30	25	25	13.5	8

## Copper Power Shunt

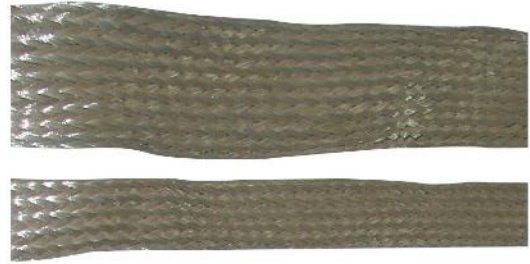
### MST 銅母綫伸縮節(全銅)



Item No.	Dimensions(mm)				Note
	a	b	L1	L2	
MST-63×6.3	63	6.3	73	170	Can be produced according to customer's drawing
MST-80×6.3	80	6.3	90	170	
MST-80×8	80	8	90	170	
MST-100×8	100	8	115	170	
MST-100×10	100	10	115	190	
MST-125×8	125	8	140	170	
MST-125×10	125	10	140	190	
MST-125×12.5	125	12.5	140	190	

## TZ-1 Copper Braid

銅編織綫 TZ-1



Nominal Cross section(mm <sup>2</sup> )	Construction No. of strands×No. of wire×layers/single wire diameter(mm)	Width ≤(mm)	Thickness ≤(mm)	Calculated weight (kg/km)
16	24×22×1/0.20	16	3.0	166
25	24×33×1/0.20	18	3.5	249
35	24×44×1/0.20	20	4.0	331
50	24×33×2/0.20	22	5.0	498
70	24×44×2/0.20	24	6.5	664
95	24×40×3/0.20	20	--	905
120	24×40×4/0.20	22	--	1207
150	24×40×5/0.20	24	--	1508
185	24×40×6/0.20	26	--	1810
240	24×40×8/0.20	30	--	2413
300	24×40×10/0.20	35	--	3016
400	24×40×10/0.20+	40	--	4004
	36×44×2/0.20			
500	24×40×10/0.20+	45	--	65007
	48×44×3/0.20			
630	24×40×10/0.20+	50	--	66334
	48×44×5/0.20			
800	24×40×10/0.20+	55	--	7661
	48×44×7/0.20			



## TZX-2 Copper Braid

銅編織綫 TZ-2



Nominal Cross section(mm <sup>2</sup> )	Construction No. of strands×No. of wire×layers/single wire diameter(mm)	Width ≤(mm)	Thickness ≤(mm)	Calculated weight (kg/km)
4	48×4×1/0.15	9	1.0	34
6	48×6×1/0.15	12	1.2	51
10	48×12×1/0.15	20	1.4	102
16	48×20×1/0.15	22	2.0	170
25	48×20×2/0.15	22	3.0	254
35	48×20×2/0.15	26	3.2	340
50	48×20/3/0.15	28	4.8	509
70	48×28×3/0.15	36	5.0	713
95	48×28×4/0.15	40	6.0	950
120	48×28×5/0.15	42	7.0	1187

## TZX-3 Copper Braid

銅編織綫 TZ-3



Nominal Cross section(mm <sup>2</sup> )	Construction No. of strands×No. of wire×layers/single wire diameter(mm)	Width ≤(mm)	Thickness ≤(mm)	Calculated weight (kg/km)
4	36×14×1/0.10	8	1.0	40
6	36×21×1/0.10	10	1.2	59
10	36×36×1/0.10	14	2.0	102
16	36×56×1/0.10	16	2.5	158
25	36×42×2/0.10	18	3.5	237
35	36×42×3/0.10	20	4.5	356

Note: Your special requests can be negotiated with us directly, if any.

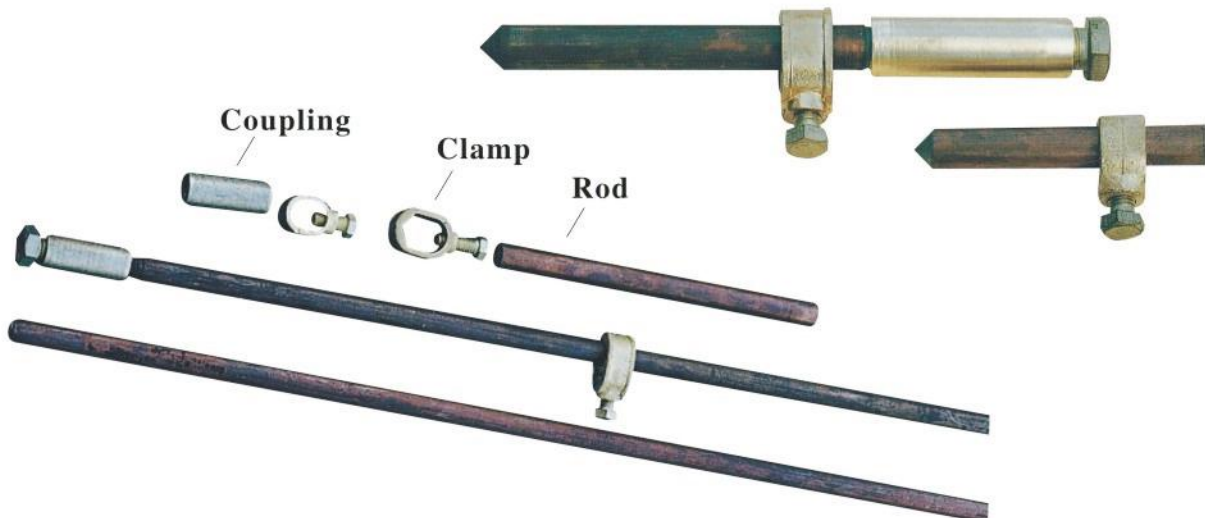
## Earth Rod, Stay Rod

接地棒、拉綫棒



## Copper Bounded Earth Rod

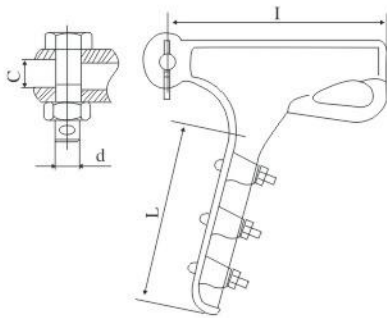
銅包鋼接地棒



Material: Carbon Steel: C45, Copper Layer: T2(99.9% pure), Clamp: Brass, Coupler: Brass  
Specification: As requested

## Tension Clamp (NLL Type)

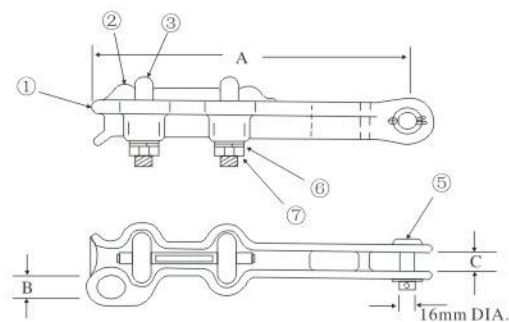
耐張綫夾



Type	Applicable Conductor(mm)	Dimensions(mm)				Rated failure Load(kN)	Weight (kg)
		L	I	C	d		
NLL-1	5.1~11.4	125	110	18	16	40	0.5
NLL-2	11.4~16	175	186	20	16	40	1.8
NLL-3	14.5~17.5	190	205	22	16	70	1.9
NLL-4	18~22.7	300	285	30	18	90	4.1
NLL-5	23~30	445	345	36	24	120	7.0

## Tension Clamp (DEC Type)

耐張綫夾



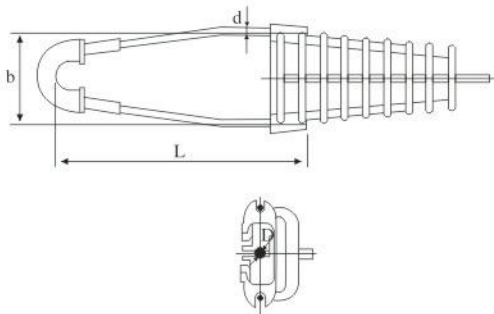
Item No.	Diameter	U-Bolt		Clamp Dimensions			U.T.S. (KN) MIN.
		No.	Size	A	B	C	
DEC-A	11.34	2	12.5	210	25	19	45
DEC-B	14.31	2	12.5	210	25	19	45
DEC-C	17.35	2	14	210	25	19	45

NOTE:

1. ALUMINUM ALLOY-BODY
2. ALUMINUM ALLOY-LINE GUARD
3. STEEL-BOLTS PIN
4. STAINLESS STEEL-CUTTER PIN
5. STEEL-BOLTS PIN
6. STEEL-ROUND & LOCK WASHERS
7. STAINLESS-NUTS

## Dead End Clamp (NXJ Type)

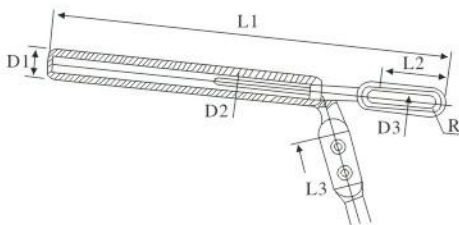
耐張綫夾



Item No.	Wire Range (mm <sup>2</sup> )	Dimensions(mm)				Gripping (kN)	Rated failure Load (kN)
		b	d	D	L		
NXJ-1(ZNXJ-1)	JKLYJ-35 JKLYJ-50	108	10	18	160	5.3	5.8
NXJ-2(ZNXJ-1)	JKLYJ-70 JKLYJ-95	108	10	20	160	11.0	12.0
NXJ-3(ZNXJ-1)	JKLYJ-120 JKLYJ-150	128	10	23	170	11.0	12.0
NXJ-4(ZNXJ-1)	JKLYJ-185 JKLYJ-240	128	10	27	170	11.0	12.0

## Tension Clamp(NY Type)

耐張綫夾



Item No.	Conductor (mm <sup>2</sup> )	Dimensions(mm)							(kN)	(Kg)
		D1	D2	D3	L1	L2	R	L3		
NY-240/30.1	LGJ-240/30	36	16	18	490	65	10	240	72	2.9
NY-240/40.1	LGJ-240/40	36	16	18	490	65	10	240	79	3.1
NY-240/55.1	LGJ-240/55	36	20	18	520	65	11	250	97	3.2
NY-300/15.1	LGJ-300/15	40	14	16	481	61	11	265	65	3.6
NY-300/20.1	LGJ-300/20	40	14	18	497	67	11	265	72	3.6
NY-300/25.1	LGJ-300/25	40	14	18	502	67	11	265	79	3.5
NY-300/40.1	LGJ-300/40	40	16	18	522	67	11	265	88	3.5
NY-300/50.1	LGJ-300/50	40	18	18	542	77	12	265	98	3.9
NY-300/70.1	LGJ-300/70	42	22	20	577	82	12	265	122	4.5
NY-400/20.1	LGJ-400/20	45	14	18	528	68	13	280	84	4.3
NY-400/25.1	LGJ-400/25	45	14	18	538	68	13	280	91	4.3
NY-400/40.1	LGJ-400/35	45	16	20	563	78	13	280	99	4.6
NY-400/50.1	LGJ-400/50	45	20	20	573	78	13	280	117	4.7
NY-400/65.1	LGJ-400/65	48	22	22	598	83	13	280	123	5.4
NY-400/95.1	LGJ-400/95	48	26	26	650	95	15	280	163	7.1

# Tension Clamp (JNS Type)

## 耐張綫夾

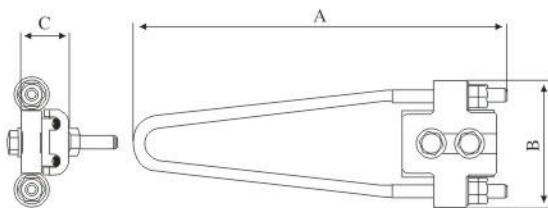


### Application

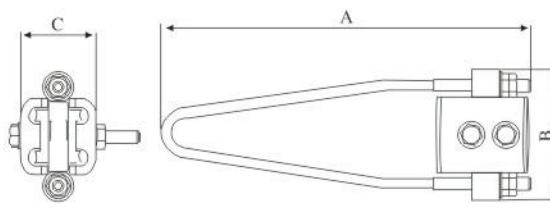
JNS series four-core bunched cable strain clamp series are fully used for fixing or tightening 1kV and less than 1kV overhead four(two)-cores bunched cable at ends of circuit.

### Function and Features

1. It adopts four(two)-core paralled groove paralled gap structure. Put the four insulation cables into clamp according to circuit design without peeling off the coat, then tighten the bolt to bunch it.
2. For inner block and filling pole with high strength, anti-climate resistance insulation plastic, it can be used for a long term;
3. Adoptting wedge type self-tighten structure, after tightening the ring, it will be fixing, and get a quite big grasp strength.



JNS two-core bunched cable train clamp series



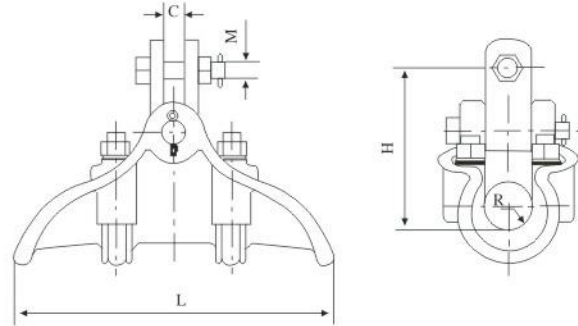
JNS four-core bunched cable train clamp series

### Technical Data

Modle	Applicable Voltage(kV)	Applicable conductor(mm <sup>2</sup> )	Dimensions(mm)			Note
			A	B	C	
JNS-1A-1	1kV	4×10-4×16mm <sup>2</sup>	200	78	45	Four cores
JNS-1A-2		4×16-4×50mm <sup>2</sup>	260	100	62	
JNS-2A		4×50-4×120mm <sup>2</sup>	330	105	72	
JNS-1C	1kV	2×10-2×16mm <sup>2</sup>	200	78	30	Two cores
JNS-2C		2×16-2×50mm <sup>2</sup>	260	100	40	

## Suspension Clamps(XGF Type)

懸垂綫夾(下垂式)

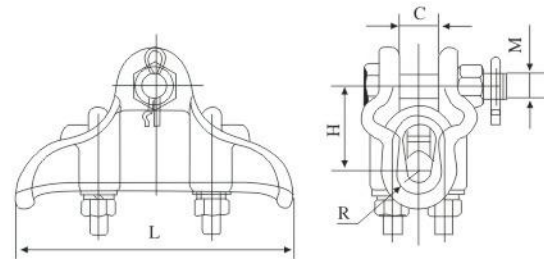


Catalog No.	Conductor Dia.(mm)	Dimensions(mm)					Rated Failure Load (kN)	Weight(kg)
		H	L	R	C	M		
XGF-4X	20.0~25.0	143	300	13.0	20	16	60	3.0
XGF-5X	24.2~33.0	145	300	16.0	20	16	60	3.5
XGF-6X	34.0~43.0	180	300	22.0	20	18	90	4.8
XGF-7X	40.0~52.0	191	350	26.0	20	18	100	5.8
XGF-8034	28.0~33.0	167	390	17.0	24	18	80	7.3
XGF-10034	28.0~33.0	167	390	17.0	24	18	100	7.9

The clamp body and keepers are aluminium alloy, cotter-pin is stainless steel, the other parts are hot-dip galvanized steel.

## Suspension Clamps(XGH Type)

懸垂綫夾(提包式)



Catalog No.	Suitable Conductor Dia.(mm)	Main dimensions(mm)					Specified Failure Load (kN)	Weight (kg)
		H	C	M	R	L		
XGH-2	5.1~12.5	52.5	25	16	18.0	166	40	1.0
XGH-3	12.4~17	50.5	23	16	11.5	200	40	1.5
XGH-4	19~23.5	59.5	27	16	13.5	225	40	2.3
XGH-5	24.2~28	70	32	16	16.0	260	60	4.4

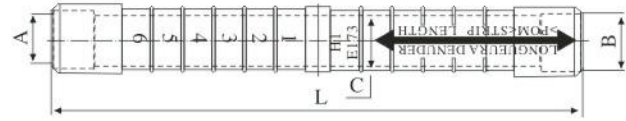
The clamp body and keepers are aluminium alloy, cotter-pin is stainless steel, the other parts are hot-dip galvanized steel.

## Pre-Insulated Sleeve

### 預絕緣鋁連接管



MJPTN



Modle	Cable Size(mm <sup>2</sup> )		Plastic Sleeve Diameter(mm)	Length(mm)
	A	B		
MJPTN 54.6/54.6	54.6	54.6	20	172.5
MJPTN 54.6/70	54.6	70	20	172.5
MJPTN 70/70	70	70	20	172.5
MJPTN 95/95D	95	95	25	172.5

Material: Aluminum alloy

Product property: MJPTN is designed to connect the neutral messenger in aerial bundled cable. It is in accordance with NFC33-021. The sleeve is with full tension.

And its cap can prevent the water into the barrel. It is colored differently to distinguish the cable sizes.

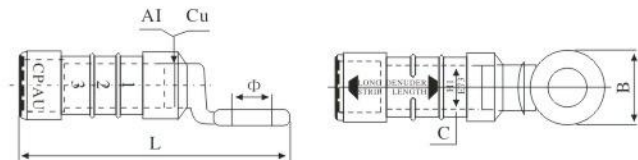
Marked with type, cable size, die size, inner cable length and number of crimping.

## Pre-Insulated Bi-metal Lugs

### 預絕緣銅鋁接綫端子



CPTAU



Modle	Dimensions(mm)			Length(mm)
	C	B	Φ	
CPTAU 16-10	16	20	10.5	73
CPTAU 25-12	20	24	13	98.5
CPTAU 35-12	20	24	13	98.5
CPTAU 50-12	20	24	13	98.5
CPTAU 54.6-12	20	24	13	98.5
CPTAU 70-12	20	24	13	98.5
CPTAU 95-12	20	24	13	98.5

Material: E-Cu; Al-99.6%

Product property: CPTAU is designed to connect the insulated cable (include ABC cable). It is in accordance with NF33-021.

The waterproof cap can prevent the water into the barrel. It is colored differently to distinguish the cable sizes.

Marked with type, cable size, die size, inner cable length and number of crimping.

# Insulator Piercing Connectors

絕緣穿刺纜夾

## Main Products



Product type and application scope

## 1KV Series products (Low voltage series)

Type	Equivalent Type	Main line section (mm <sup>2</sup> )	Branch section (mm <sup>2</sup> )	Normal current(A)	Outline size (mm)	Weight (g)	Piercing depth (mm)
KN101	JJC-1	1.5-25	1.5-10	55	27×41×62	55	1.5-2
KNEP	JJC-2	16-95	1.5-10	55	27×41×62	55	1-2
KN2-95	JJC-3	16-95	4-35(50)	157	46×52×87	160	1.5-2
KN2-150	JJC-4	50-150	6-35(50)	157	45×52×87	162	1.5-2.5
KN3-95	JJC-5	25-95	25-95	214	50×61×100	198	1.5-2
KN3-120	JJC-5-1	16-120	16-120	214	50×61×100	198	1.5-2
KN4-150	JJC-6	(35)50-150	(35)50-150	316	50×61×100	219	1.5-2.5
KN6	JJC-7	120-240	25-120	211	52×68×100	360	1.5-2.5
KN7	JJC-7-1	150-240	10-25	102	52×68×100	336	1.5-2.5
KN240	JJC-8	95-240	95-240	425	83×130×130	1040	1.5-2.5
KN300		300	任意	425	83×130×130	1040	1.5-2.5
KN400	JJC-8-1	400	任意	425	83×130×130	1040	1.5-2.5

Please phone us for special specification and type



# Insulator Piercing Connectors

絕緣穿刺綫夾



TT2D82F



IPC3.1



IPC3.2



IPC3.3



IPC3.4



TTD121F



TTD151F



TTD201F



TTD281F



TTD451F

Model	Conductor Range(mm <sup>2</sup> )		No.Bolt
	Main	Tap	
IPC3.1	16-95	10-25	1
IPC3.2	70-95	70-95	1
IPC3.3	120-185	16-25	1
IPC3.4	70-185	70-185	2
TTD121F	25-95	2.5-25	1
TTD151F	25-95	(2.5)6-35	1
TTD201F	35-95	25-95	1
TTD281F	50-185	6-35	1
TT2D82F	25-95	25-35	1
TTD451F	95-240	95-240	2

# Insulator Piercing Connectors

## 絕緣穿刺綫夾



PI-71



CD-71



PC-150



P-71



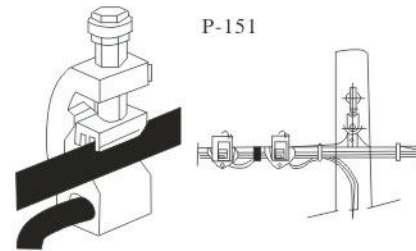
P-72



P-150



P-151



Material: High strength aluminium alloy, anti-UV plastic

A broad usage in the low voltage insulation lines, leading the branch connection to the main conductor. T-connection of low voltage insulation wire service and cable branch connection for building distribution system. The material for the inside body is high strength aluminum alloy, and the insulation cover is used polyvinyl chloride(PVC). The connectors with specially designed contact teeth, are suitable for the connection of aluminum.

Put the main conductor and branch conductor parallel into the teeth grooves of the clamp, tighten the bolts, pierce the insulation of two conductors to make the conductors connect.

The insulation cover functions as waterproof and sealing perfectly.

At the breaking force of the conductor, the connector will not be distorted and broken. At the rated current and short circuit, rising temperature of the connector should be less than the connecting conductor.

Model	Main Conductor Cross-section(mm <sup>2</sup> )	Tap Conductor Cross-section(mm <sup>2</sup> )
PI-71	35-95	4-54
CD-71	35-95	4-54
PC-150	35-150	4-50
P-71	35-95	4-50
P-72	35-95	2×(4-50)
P-150	70-150	2×(4-54)
P-151	16-150	6-95

## Anchoring Clamp

### 耐張綫夾



Material: Nylon plus fiber glass

Product property: They plastic anchoring clamp is suitable for insulated low-voltage ABC cable. It is also suitable for multiple conductors. Easy installation and perfect insulated function. It is in accordance with NFC 33-042.

Modle	Cross-section(mm <sup>2</sup> )
STA	1×10/1×16
STB	2×16/2×25
STC	4×16/4×25
STD	1×16/1×70
LA1	4×16/4×25
LA2	2×6/2×16
DCR-1	1×4/1×25
DCR-2	1×4/1×25
2.1	16-25
PA1500	25-50
PA2000	54.6-70

## Anchoring Clamp

耐張綫夾



NES-B1



NES-B2



NES-B3



NES-B4

Material: Mild steel, nylon plus fiber glass

Product property: It is used to terminate 4-core of aerial bundle conductor. Its function is fixing and tightening the insulation conductor.

Modle	Conductor Cross-section(mm <sup>2</sup> )
NES-B1	4×(16-35)
NES-B2	4×(50-120)
NES-B3	4×(25-120)
NES-B4	4×(95-150)

## Anchoring Clamp

耐張綫夾



SM116



SM117



SM118

For the termination of 4-core LV ABC cable with hook fixing. The clamps have strong springs which keep the clamp in an open position during the installation of conductors. The clamping action functions through wedges. The body is made of weather resistant aluminium alloy and the plastic parts of special fibreglass reinforced plastic.

Modle	Conductor Cross-section(mm <sup>2</sup> )
SM116	4×(25-35)
SM117	4×(50-120)
SM118	4×(50-120)

## Anchoring Clamp

### 耐張綫夾



Material: High strength aluminium alloy, nylon plus fiber glass, stainless steel

Product property: They are characterized by high mechanical stability, reduced dimensions for easier handling, high mechanical and climatic resistance. Cable gripping device in insulating material ensures the double insulation of the neutral core and avoids damage to sheath, secured parts, no tools required. Stainless steel bail with two marbles compressed on the end, this conception allows an easier locking on the body of the clamp. They are in accordance with NFC 33-041.

Modle	Cross-section(mm <sup>2</sup> )
PAM-06	16-20
PAM-07	16-25
PAM-08	16-25
DR1400	50-70
DR1500	50-70
DR1600	50-70
JBG-1	50-70

## Anchoring Clamp

### 耐張綫夾



SM156, SM157 and SM158 used for the anchoring of a 2 or 4 core overhead cable to poles or walls by means of standard hooks.

Tension clamp for the anchoring of 2 or 4 core overhead cables to poles or walls by standard hooks. Tension clamp is equipped with a spring to make the installation easier.

Modle	Conductor Cross-section(mm <sup>2</sup> )
SM156	4×(16-25)
SM157	2×(16-25)
SM158	4×(16-25)
SM160	2×(16-25)
Sm161	4×(16-25)

## Suspension Clamps

懸垂綫夾



SM94



SM95



1.1A



1.1B



ES54-14



PS1500



SHC-1



SHC-2



SHC-3



SHC-5



SHC-6

Product property: On poles, in alignment or angle, different level, also provide for hanging a public light bundle.

Modle	Conductor Range
SM94	16-95
SM95	16-95
1.1A	16-95
1.1B	16-95
ES54-14	16-95
PS1500	16-95
SHC-1	4×(16-35)
SHC-2	4×(50-120)
SHC-3	4×(50-70)
SHC-4	4×(50-70)
SHC-5	4×(70-95)
SHC-6	4×(70-95)

## Suspension Clamps

### 懸垂綫夾



SM130



SM140



SM136

Used for the installation and suspension of LV ABC cables to poles with standard hook attachment. For straight lines and angles up to  $30^\circ$   $4 \times (25-120 \text{ mm}^2)$  and  $60^\circ$   $4 \times (25-50)$ . Thanks to the integrated construction, no extra parts are needed for the installation. The body is made of corrosion proof aluminium and the inserts of weather resistant plastic.

Light duty clamp for the installation and suspension of 4-core LV ABC cables to poles with standard hook attachment. For straight lines and angles up to  $30^\circ$ . Thanks to the integrated construction, no extra parts are needed for the installation. The body is made of corrosion proof aluminium and the inserts of weather resistant plastic.

Modle	Conductor Range
SM130	$2-4 \times (25-50) \leq 60^\circ /$ $2-4 \times (25-120) \leq 30^\circ$
SM140	$2-4 \times (25-120) \leq 30^\circ$
SM136	$2-4 \times (25-120) \leq 90^\circ$

## Fixing Nail



SMZD-1



SMZD-2



SMZD-3



SMZD-4

It is in accordance with NFC 33-040

Modle	Conductor Range(mm)
SMZD-1	15-47
SMZD-2	12-47
SMZD-3	15-47
SMZD-4	15-30